

Assembly Instruction - Queen Bed

LF - QB01LR / V3P

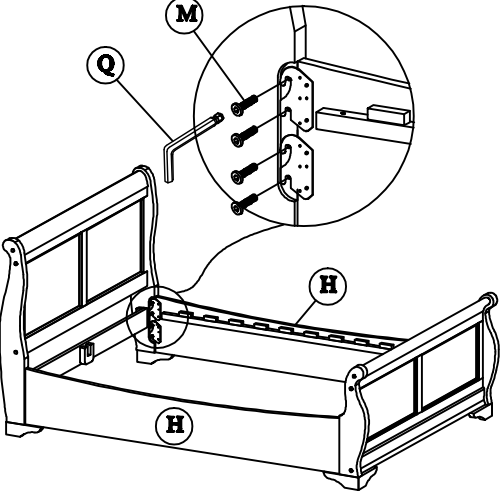
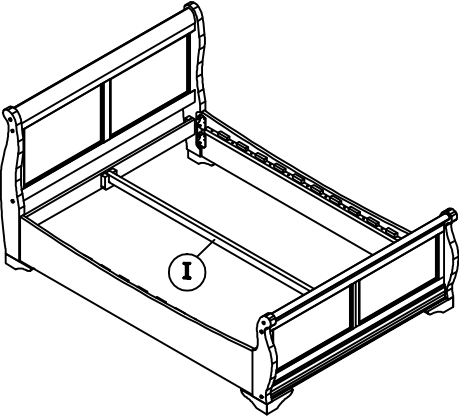

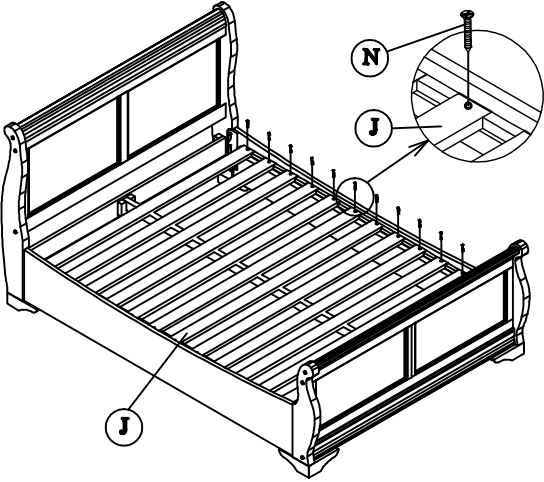
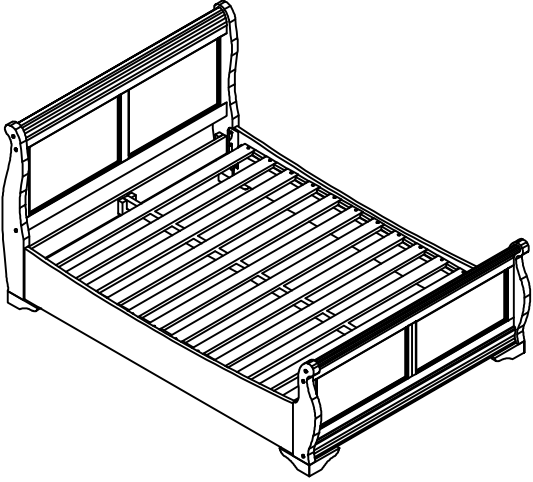




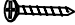
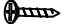

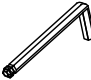
Part List

<p>1</p>	<p>2</p>	<p>A</p> <p>Headboard panel</p> <p>1 PC</p>
<p>3</p>	<p>4</p>	<p>B</p> <p>Footboard panel</p> <p>1 PC</p>
<p>C</p> <p>Headboard Wood Leg (L/R)</p> <p>2 PCS</p>	<p>D</p> <p>Footboard Wood Leg (L/R)</p> <p>2 PCS</p>	<p>E</p> <p>Bottom Stretcher</p> <p>01 PC</p>
<p>F</p> <p>Headboard Apron</p> <p>2 PCS</p>	<p>G</p> <p>Footboard Apron</p> <p>2 PCS</p>	<p>H</p> <p>Wood Side Rail</p> <p>2 PCS</p>

Assembly Instruction - Queen Bed

LF - QB01LR / V3P

Part List

<p>5</p> 	<p>6</p> 	<p>I</p>  <p>Center Bar 1 PC</p>
<p>7</p> 	<p>8</p> 	<p>J</p>  <p>Wood slat 14 PCS</p>
		<p>K</p>  <p>Wood Button 12 PCS</p>
		<p>L</p>  <p>Bolt 45 mm 18 PCS</p>
		<p>M</p>  <p>Bolt 15mm 16 PCS</p>
		<p>N</p>  <p>Chipboard Screw Ø4 x 30 mm 28 PCS</p>
		<p>O</p>  <p>Chipboard Screw Ø4 x 15 mm 8 PCS</p>
		<p>P</p>  <p>Bracket 2 PCS</p>
		<p>Q</p>  <p>M6 Allen Key 2 PCS</p>